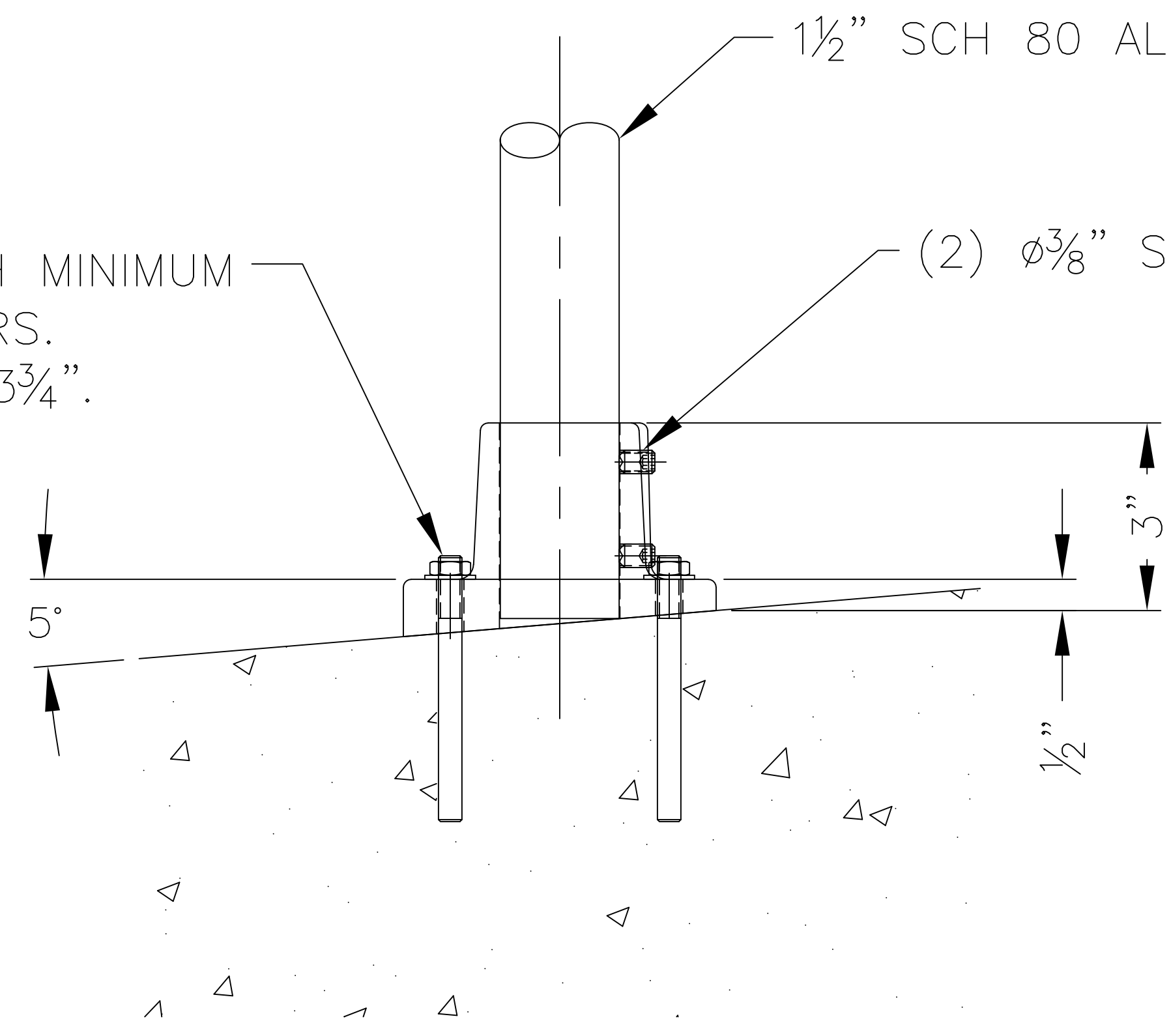


(4) $\phi 3/8$ " CHEMICAL ANCHOR WITH MINIMUM
 $2 3/4$ " EMBED PROVIDED BY OTHERS.
 MINIMUM CONCRETE THICKNESS $3 3/4$ ".

$1 1/2$ " SCH 80 ALUM. PIPE (POST)

(2) $\phi 3/8$ " SST. SETSCREWS PROVIDED BY HOLLAENDER



Hollaender[®]

STRUCTURAL ENGINEERING GROUP

10285 WAYNE AVENUE

CINCINNATI, OH 45215-6399

PHONE: (800) 772-8800 FAX: (800) 772-8806

WWW.HOLLAENDER.COM

45SBCS-8 SQUARE BASE FLANGE
1:12 SLOPE CONCRETE DETAIL