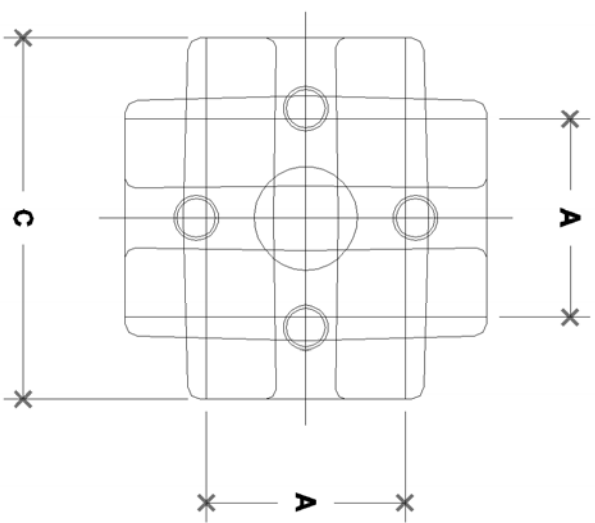
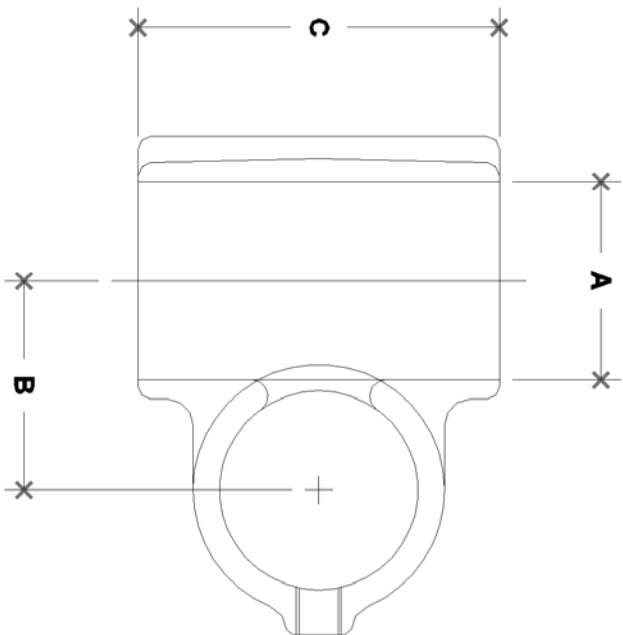


NOTE: DIMENSIONS LOCATED IN BOXES ARE COMMON
 SETBACK DIMENSIONS FOR EACH FITTING



#10 Offset Cross

SCALE: HALF

ENGLISH UNITS (Inches)

PIPE SIZE	A	B	C	D	E	F	G
2"	2.40	2.50	4.00				
1½"	1.93	2.03	3.50				
1¼"	1.68	1.78	3.50				
1"	1.34	1.44	3.50				
¾"	1.07	1.19	2.50				

METRIC UNITS (mm)

PIPE SIZE	A	B	C	D	E	F	G
2"	61	64	102				
1½"	49	52	89				
1¼"	43	45	89				
1"	34	37	89				
¾"	27	30	64				