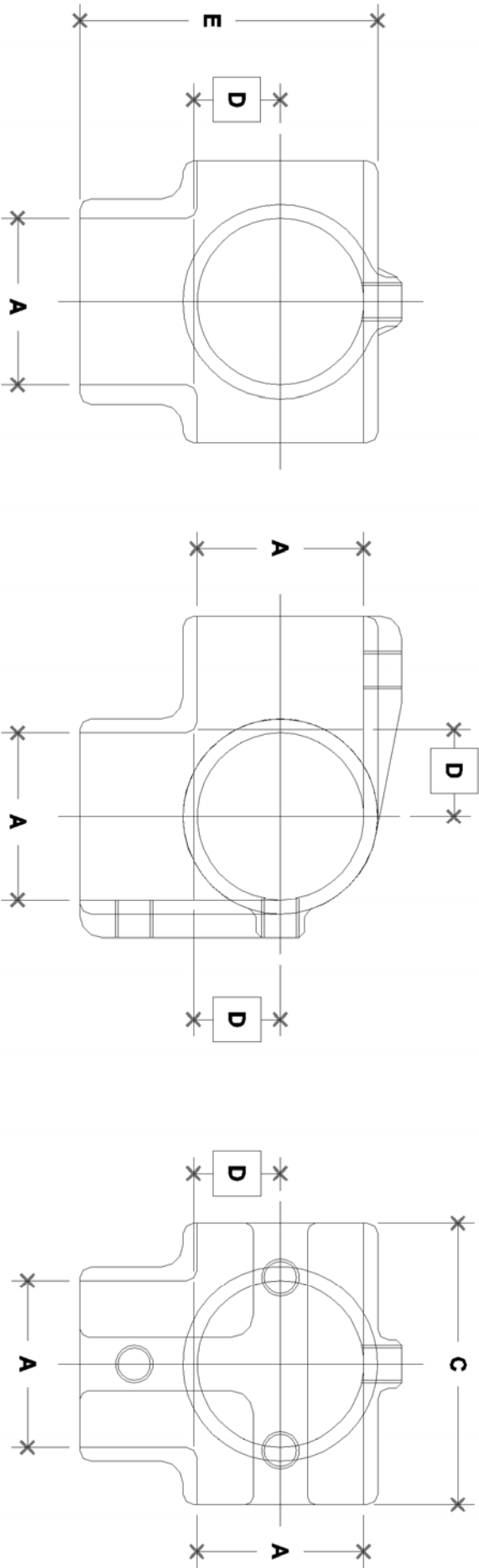


NOTE: DIMENSIONS LOCATED IN BOXES ARE COMMON  
SETBACK DIMENSIONS FOR EACH FITTING



## #11 Side Outlet Tee

SCALE: HALF

ENGLISH UNITS (Inches)							
PIPE SIZE	A	B	C	D	E	F	G
2"	2.40		3.88	1.25	4.68		
1½"	1.93		3.25	1.00	3.72		
1¼"	1.68		2.75	0.88	3.22		

METRIC UNITS (mm)							
PIPE SIZE	A	B	C	D	E	F	G
2"	61		99	32	119		
1½"	49		83	25	95		
1¼"	43		70	22	82		