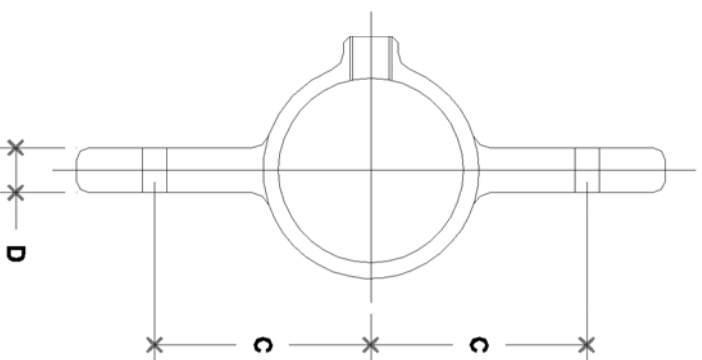
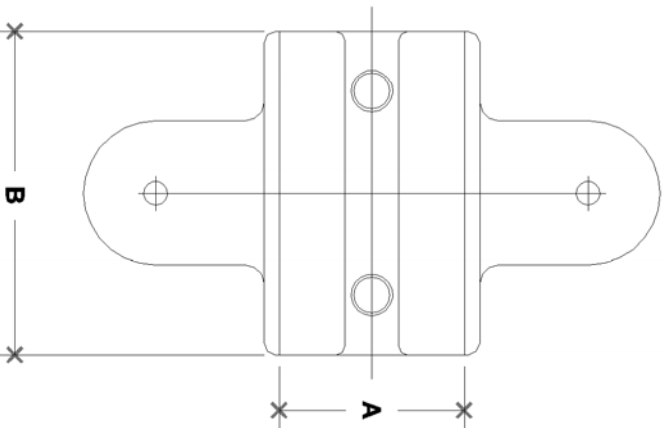


NOTE: DIMENSIONS LOCATED IN BOXES ARE COMMON
SETBACK DIMENSIONS FOR EACH FITTING



#19M Adjustable Cross Male Body

SCALE: HALF

ENGLISH UNITS (Inches)						
PIPE SIZE	A	B	C	D	E	F
2"	2.40	3.88	2.63	0.53		
1½"	1.93	3.38	2.25	0.47		
1¼"	1.68	2.75	1.94	0.47		
1"	1.33	2.38	1.63	0.47		
¾"	1.07	2.00	1.31	0.47		

METRIC UNITS (mm)						
PIPE SIZE	A	B	C	D	E	F
2"	61	99	67	13		
1½"	49	86	57	12		
1¼"	43	70	49	12		
1"	34	60	41	12		
¾"	27	51	33	12		