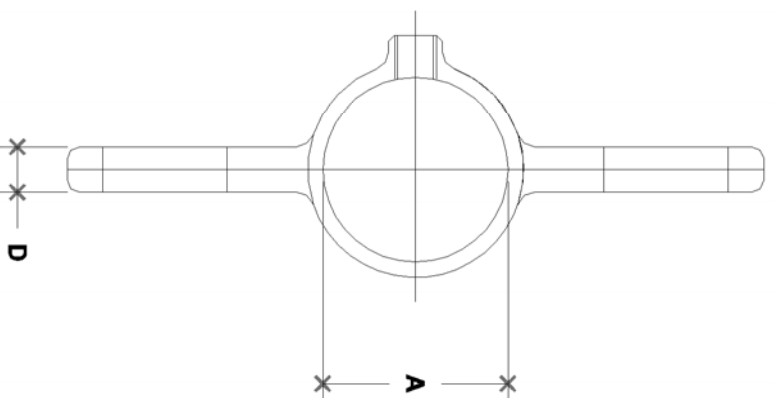
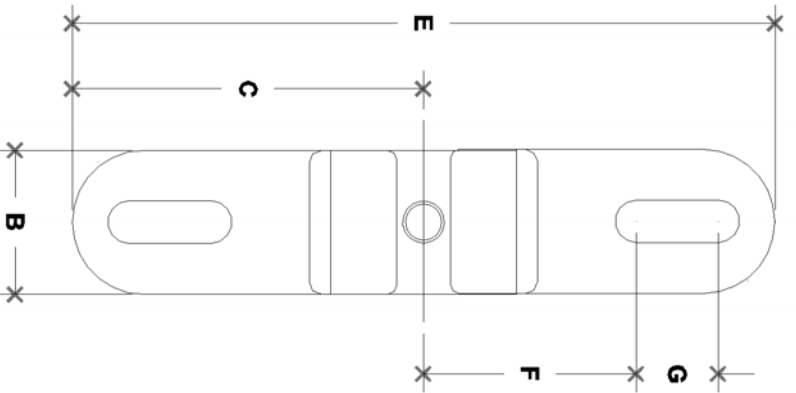


NOTE: DIMENSIONS LOCATED IN BOXES ARE COMMON
SETBACK DIMENSIONS FOR EACH FITTING



#19MA Double Extended Tab

SCALE: HALF

ENGLISH UNITS (Inches)							
PIPE SIZE	A	B	C	D	E	F	G
1 1/2"	1.93	1.50	3.66	.51	7.31	2.21	.855

METRIC UNITS (mm)							
PIPE SIZE	A	B	C	D	E	F	G
1 1/2"	49	38	93	13	186	55	22