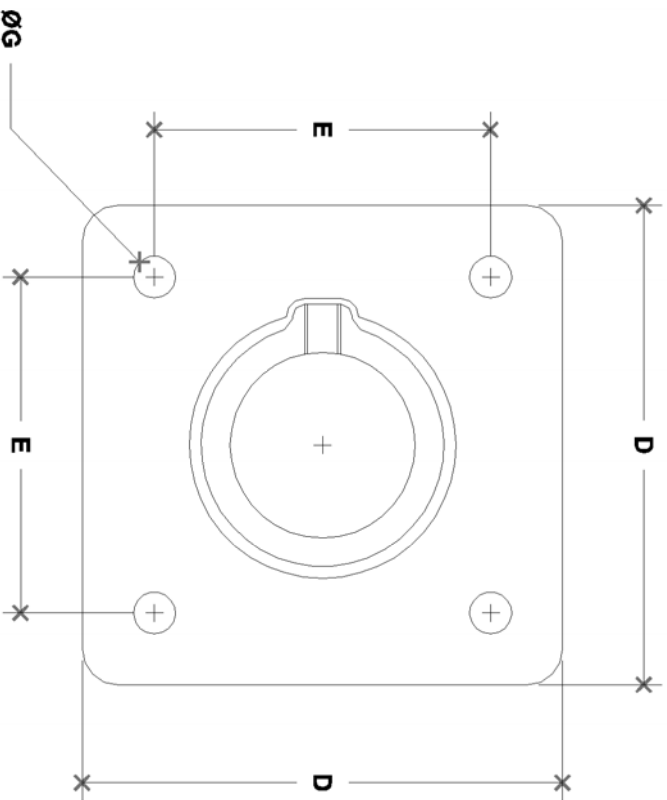
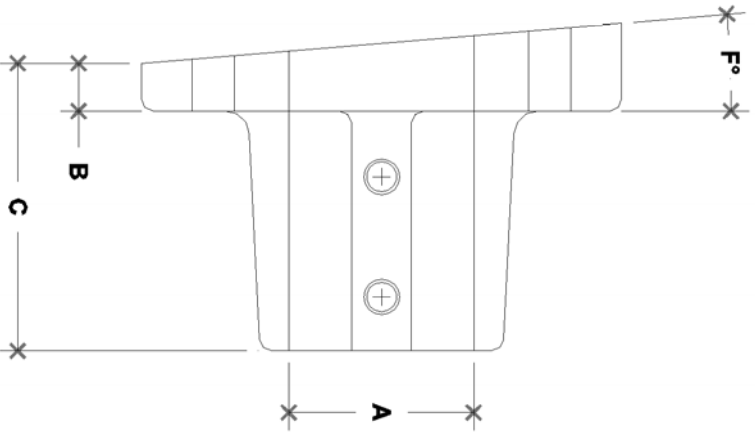


NOTE: DIMENSIONS LOCATED IN BOXES ARE COMMON
SETBACK DIMENSIONS FOR EACH FITTING



#45SBCS Square Floor Flange (1:12 Slope)

SCALE: HALF

ENGLISH UNITS (Inches)							
PIPE SIZE	A	B	C	D	E	F	G
1½"	1.93	0.50	3.00	5.00	3.50	1:12	0.44

METRIC UNITS (mm)							
PIPE SIZE	A	B	C	D	E	F	G
1½"	49	13	76	127	89	1:12	12