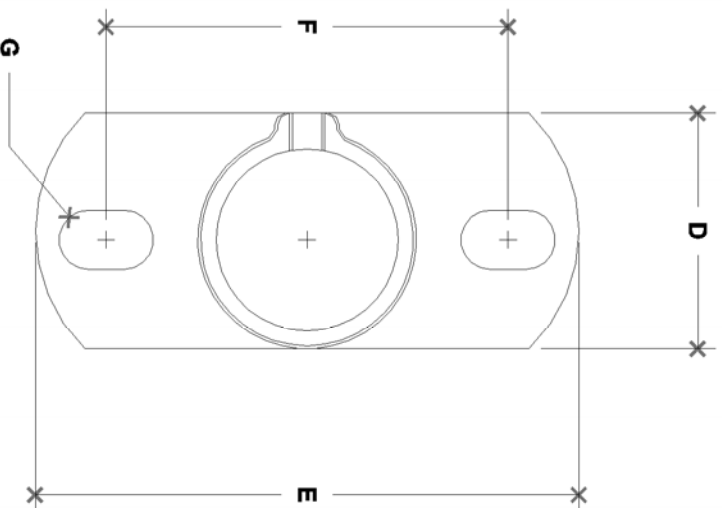
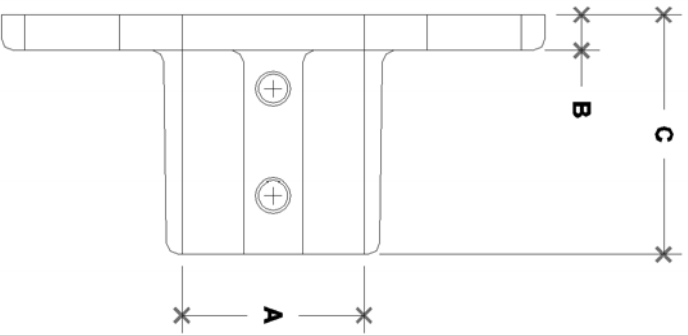


NOTE: DIMENSIONS LOCATED IN BOXES ARE COMMON  
 SETBACK DIMENSIONS FOR EACH FITTING



## #46 Base Flange

SCALE: HALF

ENGLISH UNITS (Inches)							
PIPE SIZE	A	B	C	D	E	F	G
1 1/2"	1.93	0.63	3.00	2.75	6.00	4.25	.56X.81
1 1/4"	1.68	0.38	2.19	2.50	5.75	4.25	.56X.81

METRIC UNITS (mm)							
PIPE SIZE	A	B	C	D	E	F	G
1 1/2"	49	16	76	70	152	108	14X21
1 1/4"	43	10	56	64	146	108	14X21