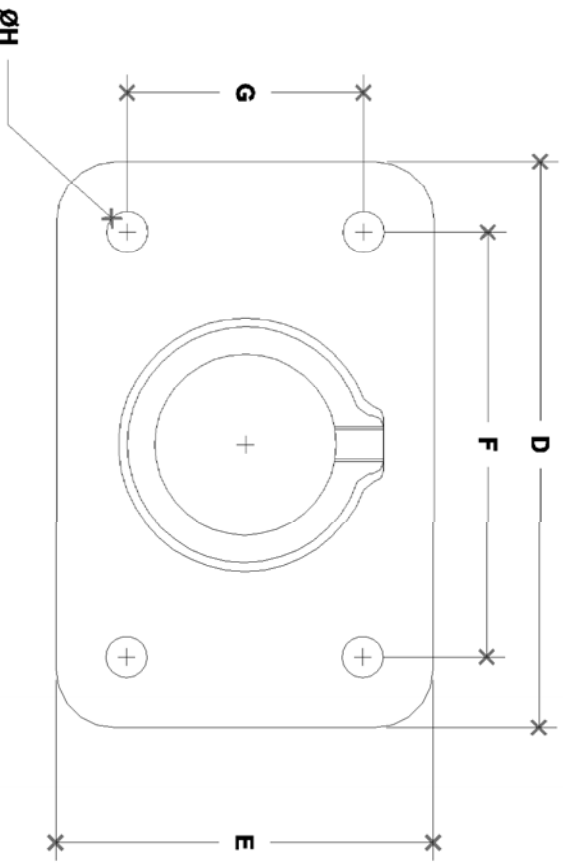
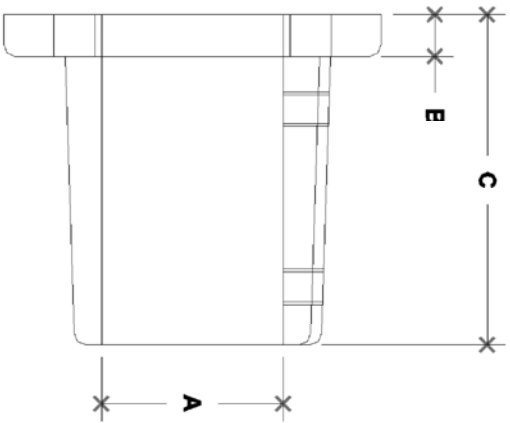


NOTE: DIMENSIONS LOCATED IN BOXES ARE COMMON
 SETBACK DIMENSIONS FOR EACH FITTING



#48 Heavy-Duty Base Flange (4-Hole)

SCALE: HALF

ENGLISH UNITS (Inches)										
PIPE SIZE	A	B	C	D	E	F	G	H	J	
2"	2.40	0.56	3.50	8.00	5.00	5.50	3.50	0.56		
1½"	1.93	0.44	3.50	6.00	4.00	4.50	2.50	0.44		

METRIC UNITS (mm)										
PIPE SIZE	A	B	C	D	E	F	G	H	J	
2"	61	14	89	203	127	140	89	14		
1½"	49	11	89	152	102	114	64	12		