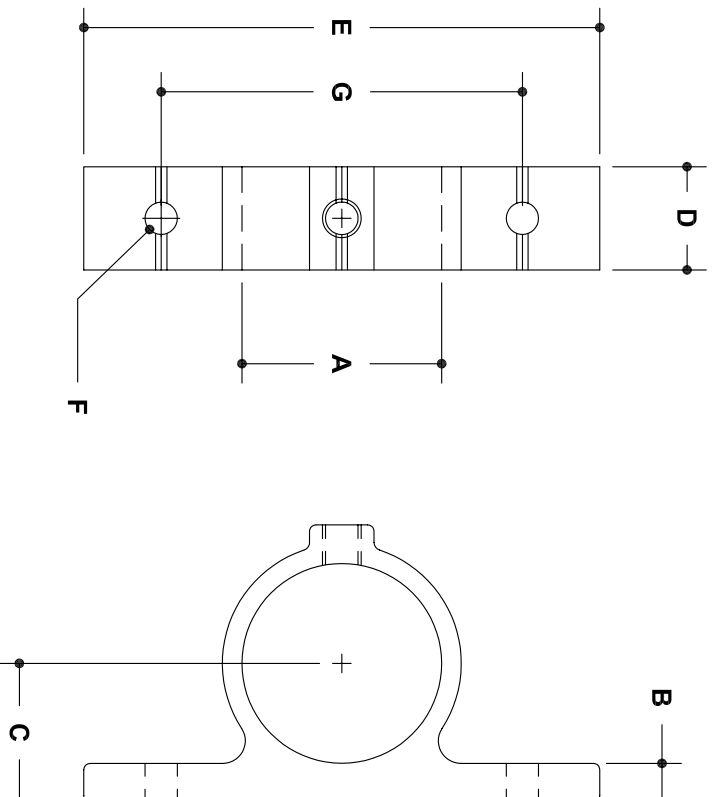


NOTE: DIMENSIONS LOCATED IN BOXES ARE COMMON  
 SETBACK DIMENSIONS FOR EACH FITTING



## #52ES Extruded Offset Bracket (1" Cut)

SCALE: HALF

ENGLISH UNITS (Inches)						
PIPE SIZE	A	B	C	D	E	G
2"	2.40	0.44	1.63	1.00	6.00	4.50
1½"	1.93	0.38	1.34	1.00	5.00	3.50
1¼"	1.68	0.38	1.34	1.00	5.00	3.50

METRIC UNITS (mm)						
PIPE SIZE	A	B	C	D	E	G
2"	61	134	41	25	152	114
1½"	49	116	34	25	127	89
1¼"	43	116	34	25	127	89