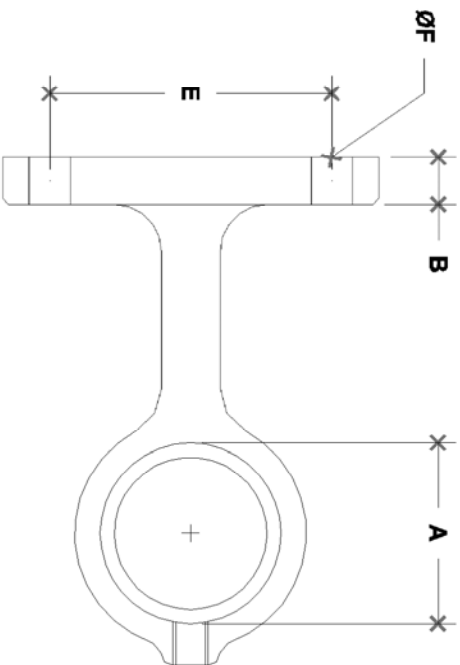
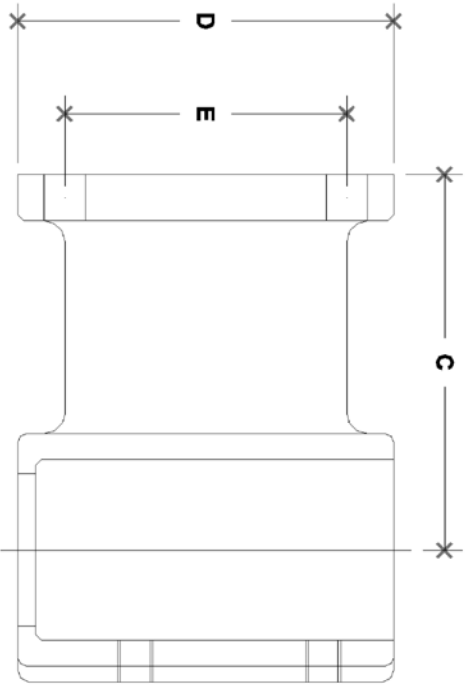


NOTE: DIMENSIONS LOCATED IN BOXES ARE COMMON
 SETBACK DIMENSIONS FOR EACH FITTING



#54-4 Offset Wall Flange (4")

SCALE: HALF

ENGLISH UNITS (Inches)						
PIPE SIZE	A	B	C	D	E	F
1 1/2"	1.93	0.50	4.00	4.00	3.00	0.44

METRIC UNITS (mm)						
PIPE SIZE	A	B	C	D	E	F
1 1/2"	49	13	102	102	76	12