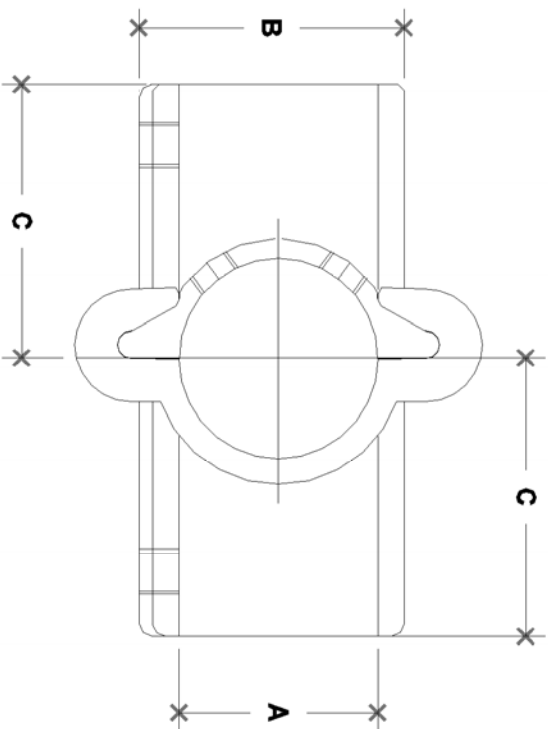


NOTE: DIMENSIONS LOCATED IN BOXES ARE COMMON
 SETBACK DIMENSIONS FOR EACH FITTING



#7S Modular Cross Assembly

SCALE: HALF

ENGLISH UNITS (Inches)

PIPE SIZE	A	B	C	D	E	F	G
2"	-	-	-	-	-	-	-
1½"	1.93	2.60	2.67	-	-	-	-
1¼"	-	-	-	-	-	-	-
1"	-	-	-	-	-	-	-
¾"	-	-	-	-	-	-	-

METRIC UNITS (mm)

PIPE SIZE	A	B	C	D	E	F	G
2"	-	-	-	-	-	-	-
1½"	49	66	68	-	-	-	-
1¼"	-	-	-	-	-	-	-
1"	-	-	-	-	-	-	-
¾"	-	-	-	-	-	-	-