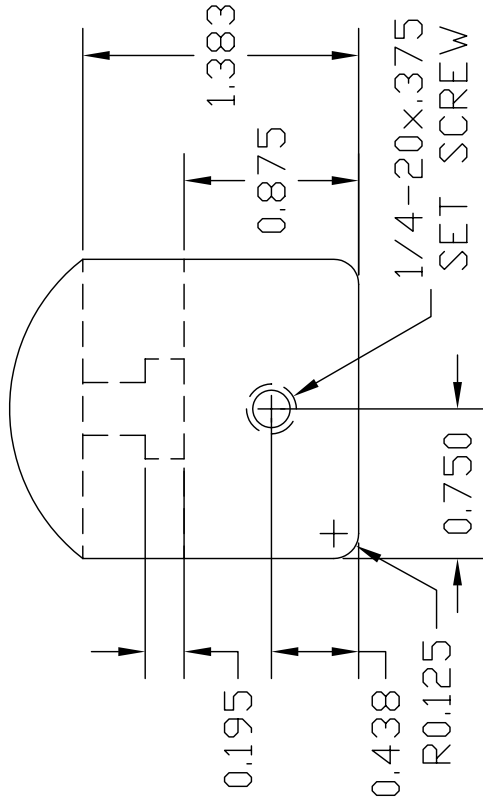
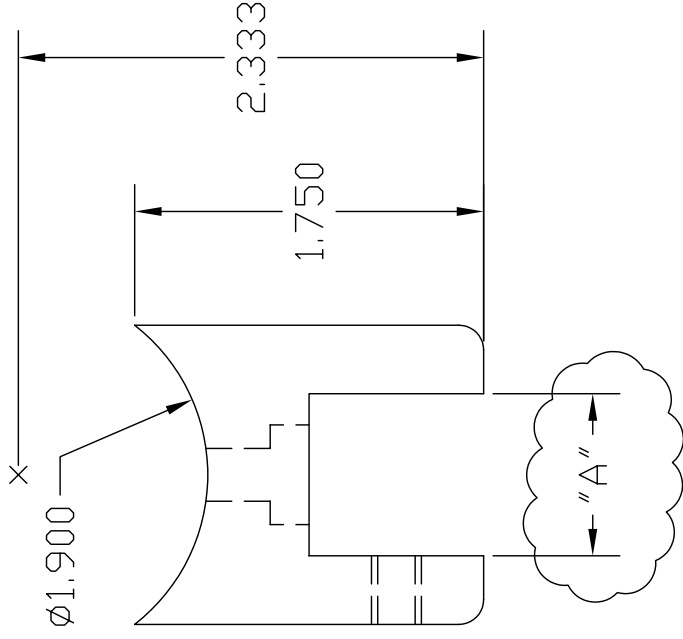


SPECIFY DISTANCE OF GAP "A"

$\frac{1}{2}$ " TO 1" \_\_\_\_\_



145J

<p>THIS DRAWING AND ALL THE INFORMATION THEREIN IS THE PROPERTY OF THE ENGINEER. IT IS TO BE USED ONLY FOR THE PROJECT AND MUST NOT BE REPRODUCED, COPIED, NOR USED TO THE DISADVANTAGE OF THE ENGINEER. IT IS SUBJECT TO RETURN ON DEMAND.</p> <p>COPYRIGHT 2003 HOLLAEENDER MANUFACTURING CO.</p>		<p>NO. 0</p> <p>ISSUED FOR REVIEW/APPROVAL</p>	<p>REVISIONS</p>	<p>DATE 9-13-05</p>	<p>APPROVED</p>	<p>BW</p>	<p>Hollaeender® STRUCTURAL ENGINEERING GROUP</p>	<p>HOLLAEENDER MFG. 10285 WAYNE AVENUE CINCINNATI, OH 45215-6399 TEL: (513) 752-8800 FAX: (513) 752-8800 WWW.HOLLAEENDER.COM</p>	<p>PROJECT</p>	<p>DESCRIPTION PANEL CLIP</p>	<p>DRAWN BY: BW</p> <p>PROJECT NO: NA</p> <p>DATE: NTS</p> <p>APPROVED BY: BW</p> <p>SCALE: NTS</p> <p>WORKING NO: _____</p> <p>SHEET 1 OF 1</p>
---	--	--	------------------	---------------------	-----------------	-----------	--	--	----------------	-----------------------------------	--