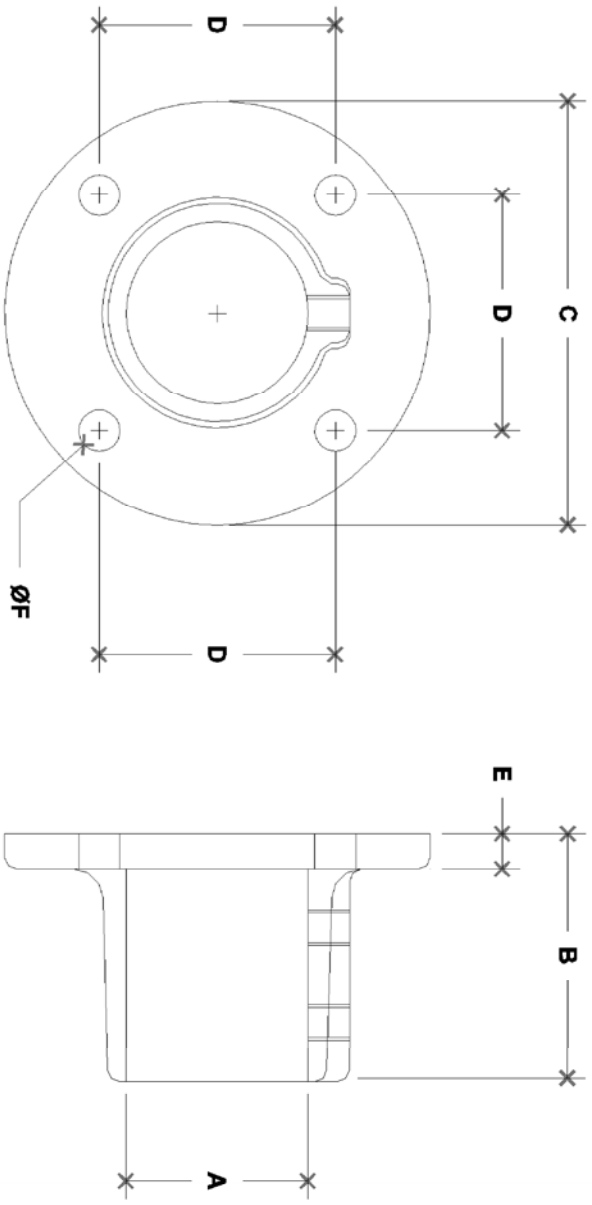


NOTE: DIMENSIONS LOCATED IN BOXES ARE COMMON  
 SETBACK DIMENSIONS FOR EACH FITTING



# #42 Round Base Flange

SCALE: HALF

**ENGLISH UNITS (Inches)**

PIPE SIZE	A	B	C	D	E	F	G
1 1/2"	1.93	2.31	4.50	2.50	0.38	0.44	
1 1/4"	1.68	2.13	4.50	2.50	0.38	0.44	

**METRIC UNITS (mm)**

PIPE SIZE	A	B	C	D	E	F	G
1 1/2"	49	59	114	64	10	11	
1 1/4"	43	54	114	64	10	11	