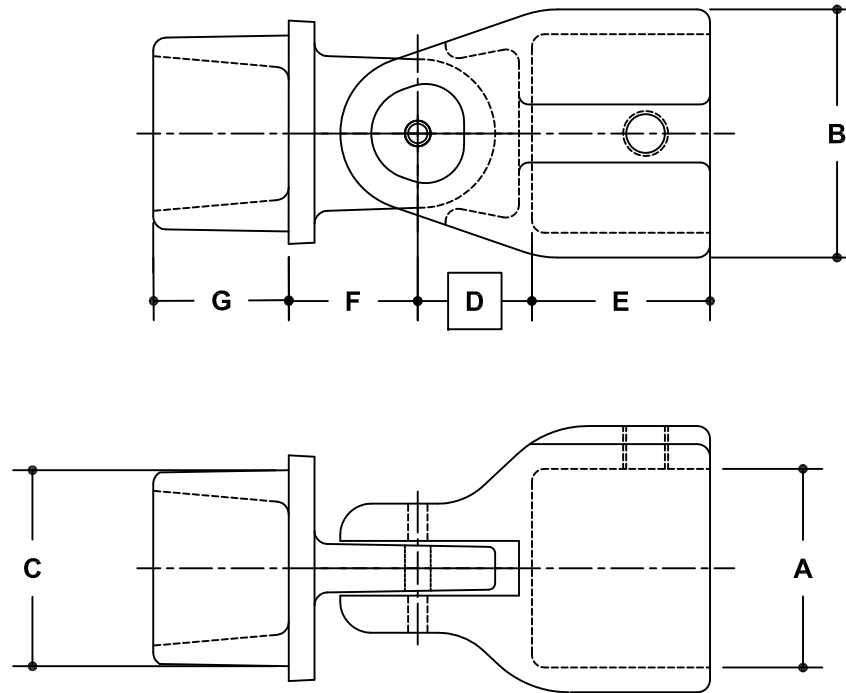


NOTE: DIMENSIONS LOCATED IN BOXES ARE COMMON
SETBACK DIMENSIONS FOR EACH FITTING



#24 Universal Adapter

SCALE: HALF

ENGLISH UNITS (Inches)							
PIPE SIZE	A	B	C	D	E	F	G
2"							
1½"	1.93	2.41	1.90	1.11	1.73	1.25	1.31
1¼"							
1"							
¾"							

METRIC UNITS (mm)							
PIPE SIZE	A	B	C	D	E	F	G
2"							
1½"	49	61	48	28	44	32	33
1¼"							
1"							
¾"							