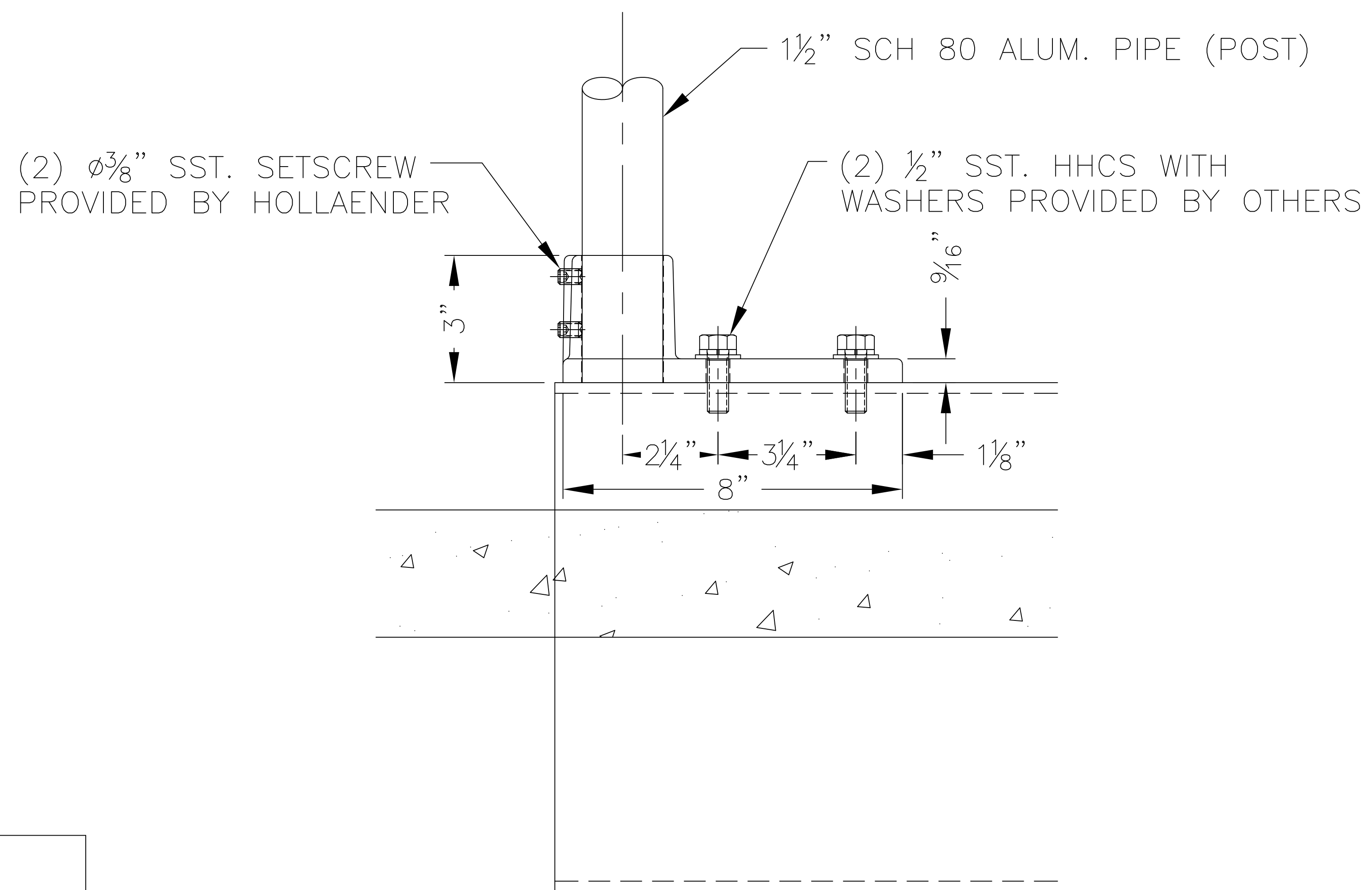


3" MINIMUM
STRINGER WIDTH



Hollaender[®]

STRUCTURAL ENGINEERING GROUP

10285 WAYNE AVENUE

CINCINNATI, OH 45215-6399

PHONE: (800) 772-8800 FAX: (800) 772-8806

WWW.HOLLAENDER.COM

**46EXT-8 BASE FLANGE
ON STEEL TUBE STRINGER**