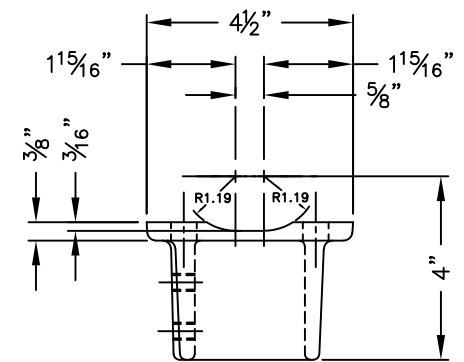
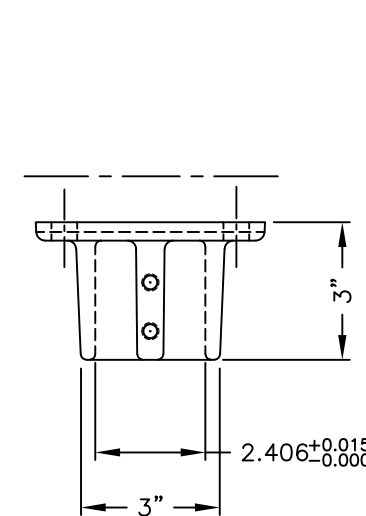
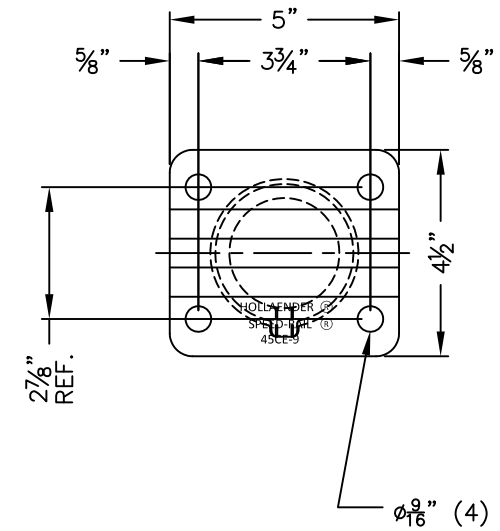


#45CE-9 SOLAR POST TOP MOUNT
2\"/>



#45CE-9 SOLAR POST TOP MOUNT
2\"/>

THIS DRAWING AND ALL THE INFORMATION THEREON IS THE PROPERTY OF THE HOLLAENDER MFG. CO., IS CONFIDENTIAL AND MUST NOT BE MADE PUBLIC, NOR COPIED, NOR USED, TO THE DISADVANTAGE OF SAID HOLLAENDER MFG. CO. AND IS SUBJECT TO RETURN ON DEMAND.

COPYRIGHT 2020, HOLLAENDER® MANUFACTURING CO.

NO.	REVISIONS	DATE	APPROVED
0	RELEASED FOR APPROVAL		BW

Hollaender®
STRUCTURAL ENGINEERING GROUP
 10285 WAYNE AVENUE
 CINCINNATI, OH 45215-6399
 PHONE: (800) 772-8800 FAX: (800) 772-8806
 WWW.HOLLAENDER.COM

PROJECT	CUSTOMER
2" TOP CAP #31810	

DESCRIPTION
SPEED RAIL SUBMITTAL AND APPROVAL DRAWINGS #45CE-9

DRW BY:	APPROVED BY:	DATE:
GG	BW	12-07-20
PROJECT NO.:		SCALE:
N/A		NTS
FINISH:		DRAWING NO.:
See Notes		6132-S
MATERIAL:		SHEET
See Notes		1 OF 1

